

# PRODUCT SPECIFICATION SHEET

## 600mm Commercial Freestanding Dishwasher



**PG8059W**

**Miele**

**Dimension:**

W600 x D600 x H820-835mm

**Finish:**

**Features:**

- Economical and efficient: low consumption values
- Patented AutoOpen drying - Completely dry:
- Door opens automatically at the end of the programme
- Plastic baskets on two levels as an option
- Adjustable programme parameters
- AutoClose
- Integrated water softener
- Fresh water system
- Constantly high cleaning performance and hygiene
- Repeated water changes
- High final rinse temperature
- Simple and intuitive operation

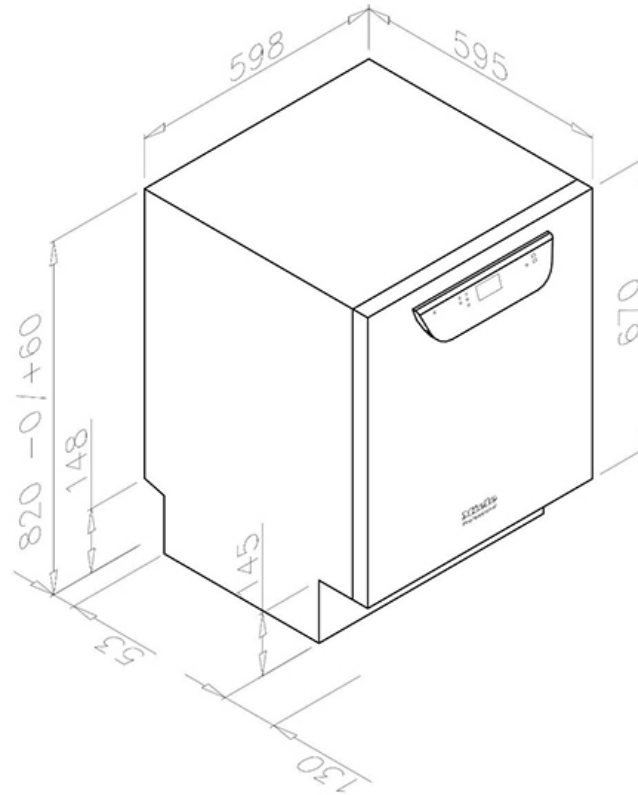
NOTE: Images, specifications and dimension correct at the time of publishing. It is advised that these details be confirmed prior to construction as no liability will be taken by Harvey Norman Commercial for any changes in specifications.

# PRODUCT SPECIFICATION SHEET

## 600mm Commercial Freestanding Dishwasher

**Miele**

PG8059W



NOTE: Images, specifications and dimension correct at the time of publishing. It is advised that these details be confirmed prior to construction as no liability will be taken by Harvey Norman Commercial for any changes in specifications.