

PRODUCT SPECIFICATION SHEET

450mm Infill Bench



C450

Cobra®

Dimension:

W450 x D800 x H1085mm

Finish:

Stainless Steel

Features:

- Cobra Series suite matching
- Fully modular
- 4 modular widths
- Salamander upstand model
- Stainless steel finish
- Easy clean
- Flat pack construction

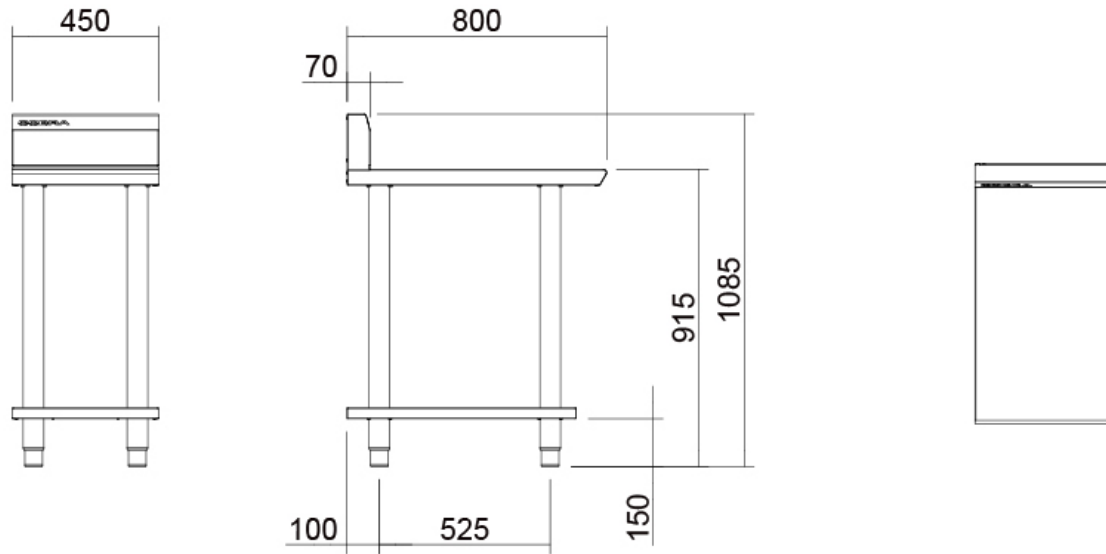
NOTE: Images, specifications and dimension correct at the time of publishing. It is advised that these details be confirmed prior to construction as no liability will be taken by Harvey Norman Commercial for any changes in specifications.

PRODUCT SPECIFICATION SHEET

450mm Infill Bench

Cobra®

C450



NOTE: Images, specifications and dimension correct at the time of publishing. It is advised that these details be confirmed prior to construction as no liability will be taken by Harvey Norman Commercial for any changes in specifications.