

PRODUCT SPECIFICATION SHEET

900mm RC Series Gas Range With Static Oven



RCR96NG



Dimension:

W900 x D830 x H1135mm

Finish:

Stainless Steel

Features:

- 6x 24MJ Open burners
- With individual pilots and flame failure included as standard
- Durable, lightweight and flush cast iron trivets
- Burner/Griddle Combinations in 300mm, 600mm & 900mm widths
- Newly engineered sturdy pull-down door
- Well insulated cavities
- Enamelled oven interior

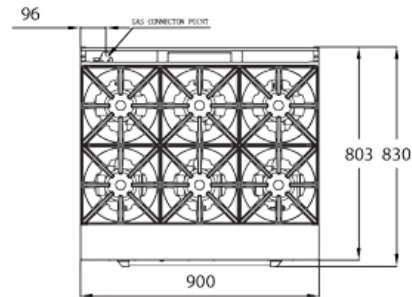
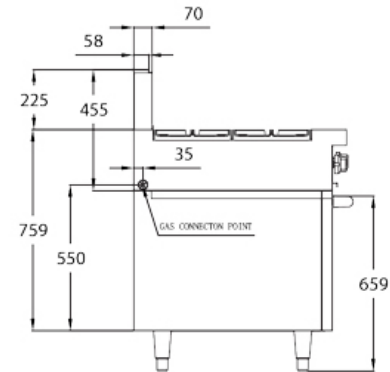
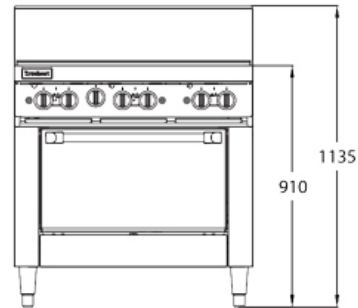
NOTE: Images, specifications and dimension correct at the time of publishing. It is advised that these details be confirmed prior to construction as no liability will be taken by Harvey Norman Commercial for any changes in specifications.

PRODUCT SPECIFICATION SHEET

900mm RC Series Gas Range With Static Oven



RCR96NG



NOTE: Images, specifications and dimension correct at the time of publishing. It is advised that these details be confirmed prior to construction as no liability will be taken by Harvey Norman Commercial for any changes in specifications.