

PRODUCT SPECIFICATION SHEET

600mm 4-Tray Professional Convection Oven



ALFA43X



Dimension:

W602 x D584 x H320mm

Finish:

Stainless Steel

Features:

- 15A plug
- 4 flat aluminium trays
- Double glass door
- Manual electromechanical controls
- Excellent internal visibility,
- Large glass and powerful inner light

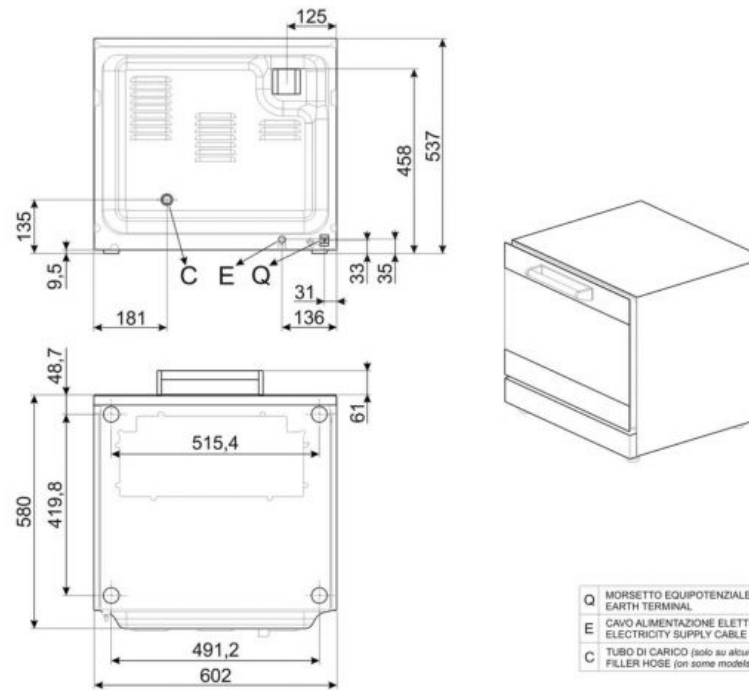
NOTE: Images, specifications and dimension correct at the time of publishing. It is advised that these details be confirmed prior to construction as no liability will be taken by Harvey Norman Commercial for any changes in specifications.

PRODUCT SPECIFICATION SHEET

600mm 4-Tray Professional Convection Oven



ALFA43X



Q	MORSETTO EQUIPOTENZIALE EARTH TERMINAL
E	CAVO ALIMENTAZIONE ELETTRICA ELECTRICITY SUPPLY CABLE
C	TUBO DI CARICO (solo su alcuni modelli) FILLER HOSE (for some models only)

NOTE: Images, specifications and dimension correct at the time of publishing. It is advised that these details be confirmed prior to construction as no liability will be taken by Harvey Norman Commercial for any changes in specifications.