

# PRODUCT SPECIFICATION SHEET

## 15 Litre 700 Series Single Pan Gas Deep Fryer



### 7FRIG415



#### Dimension:

W400 x D700 x H900mm

#### Finish:

Stainless Steel

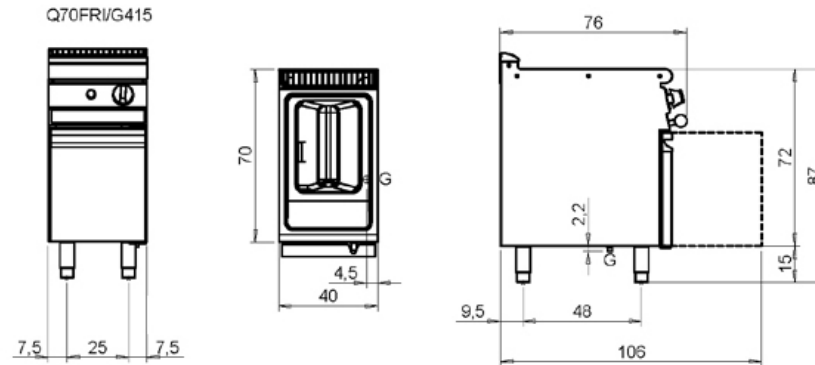
#### Features:

- 
- 15L single basin gas deep fryer with piezo ignition
- Automatic temperature adjustment thermostat up to 190°C
- Fire proof safety thermostat (230°C)
- Oil drain valves
- Knobs with IPX5 water jet ingress protection rating
- AISI304 stainless steel construction
- Complete with two baskets and lid
- Total gas load - 50 Mj

NOTE: Images, specifications and dimension correct at the time of publishing. It is advised that these details be confirmed prior to construction as no liability will be taken by Harvey Norman Commercial for any changes in specifications.

# PRODUCT SPECIFICATION SHEET

## 15 Litre 700 Series Single Pan Gas Deep Fryer



NOTE: Images, specifications and dimension correct at the time of publishing. It is advised that these details be confirmed prior to construction as no liability will be taken by Harvey Norman Commercial for any changes in specifications.