

PRODUCT SPECIFICATION SHEET

1020 Litre 3-Door Top Mount Display Refrigerator



TME1500NA



Dimension:

W1705 x D745 x H2200mm

Finish:

Stainless Steel

Features:

- Save time restocking with 110 product facings (600ml bottle)
- SKOPE-connect commercial fridge management app
- App built into every ActiveCore 2 fridge
- ActiveCore interchangeable refrigeration system
- Designed for high-humidity and warm commercial environments
- Significantly reduced noise for a quieter working environment

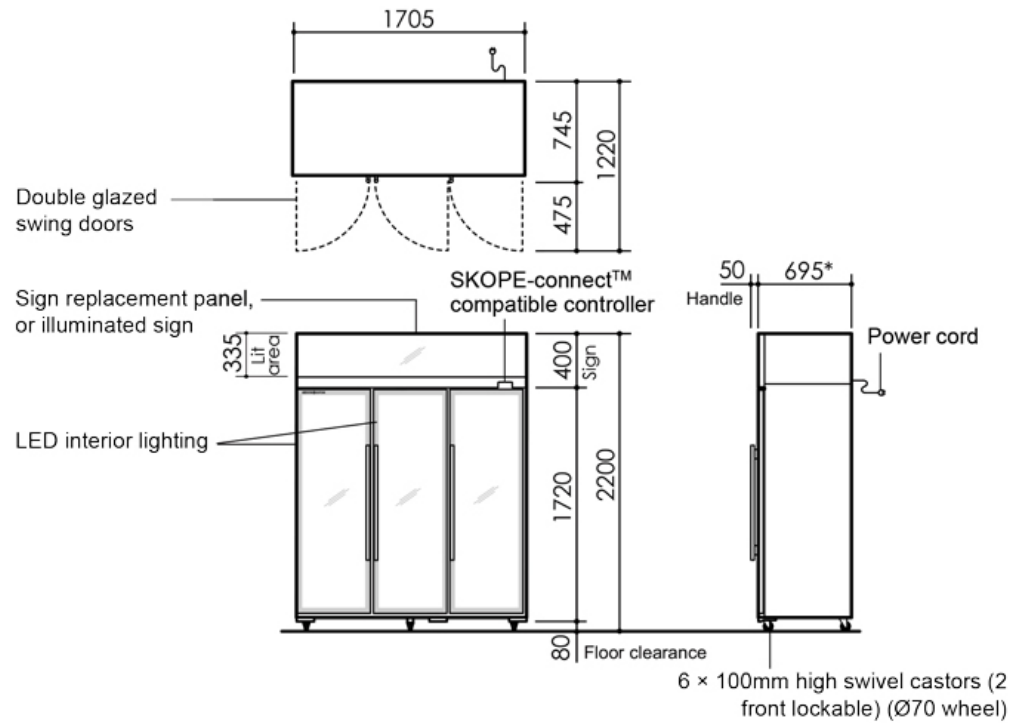
NOTE: Images, specifications and dimension correct at the time of publishing. It is advised that these details be confirmed prior to construction as no liability will be taken by Harvey Norman Commercial for any changes in specifications.

PRODUCT SPECIFICATION SHEET

1020 Litre 3-Door Top Mount Display Refrigerator



TME1500NA



NOTE: Images, specifications and dimension correct at the time of publishing. It is advised that these details be confirmed prior to construction as no liability will be taken by Harvey Norman Commercial for any changes in specifications.